

LOC  
A1

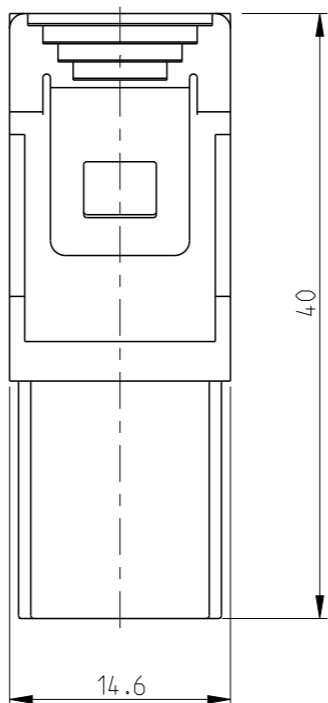
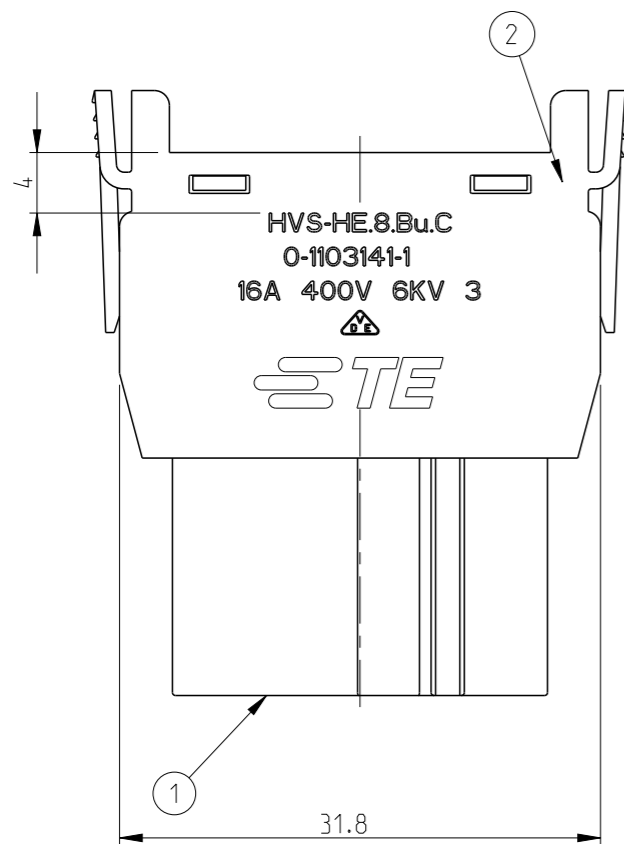
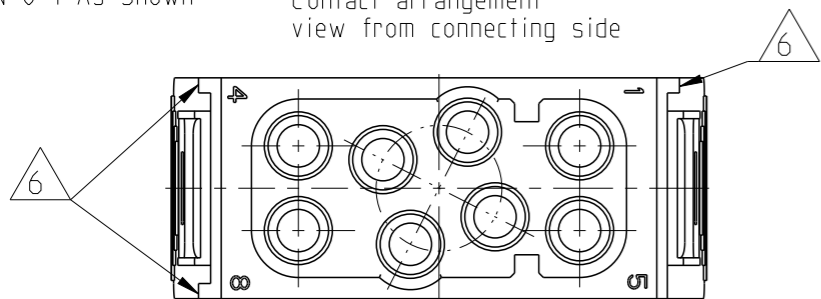
DIST

REVISIONS

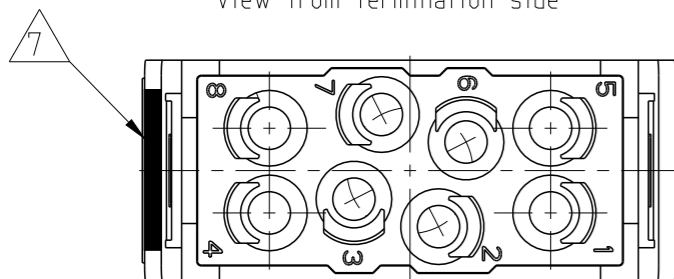
P	LTR	DESCRIPTION	DATE	DWN	APVD
	C	ECR-15-007591	28MAY2015	GSK	JB

PN 0-1 As Shown

Contact arrangement  
view from connecting side



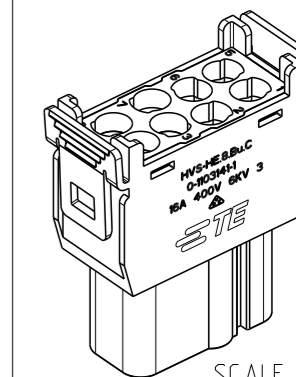
Contact arrangement  
view from termination side



NOTES

- 1 SUITABLE CRIMP CONTACTS: SERIES HE/HA  
CUSTOMER DRAWING: 1105101  
OUTER DIMENSIONS OF INSULATION: MAX. Ø4.9mm
- 2 SUITABLE MODULE FIXING FRAME: SERIES HVS SIZE 3 TO 8  
CUSTOMER DRAWING: 1103250
- 3 SUITABLE INSERTION TOOL:  
CUSTOMER DRAWING: 0-1102855-6
- 4 SUITABLE EXTRACTION TOOL:  
CUSTOMER DRAWING: 0-1102855-7
- 5 STANDARDS:  
DIN EN 61984; DIN EN 60664-1
- 6 POLARIZATION RIPS
- 7 MARKING OF POLARIZATION ACCORDING TO MARKING OF  
MODULE FRAME
- 8 PACKAGING:  
10 SETS IN A CARTON, PRE-MOUNTED

PN 0-1 As Shown



QTY	DESCRIPTION	MATERIAL	COLOR	ITEM NO
1	FEMALE INSERT HVS-HE.8	PBT-GF10	LIGHT GREY	1
1	COVER FOR FEMALE INSERT	PBT-GF15	LIGHT GREY	2

PN 0-1 / HVS-HE.8.BU.C

THIS DRAWING IS A CONTROLLED DOCUMENT.

DWN 24.08.2005  
M.SCHWEIGER  
CHK 23.08.2005  
T.SCHNURPFIL  
APVD



DIMENSIONS:	TOLERANCES UNLESS OTHERWISE SPECIFIED:
mm	ISO 8075 DIN ISO 2768 mH-E DIN 15901-120
	0 PLC ±
	1 PLC ±
	2 PLC ±
	3 PLC ±
	4 PLC ±
	ANGLES ±
MATERIAL	FINISH
9	10

PRODUCT SPEC  
108-74073  
APPLICATION SPEC  
114-74073  
WEIGHT

NAME			
FEMALE INSERT ASSY HVS-HE.8.BU.C			
SIZE	CAGE CODE	DRAWING NO	RESTRICTED TO
A3	00779	C=1103141	
CUSTOMER DRAWING		SCALE 2:1	SHEET 1 OF 1 REV C